

Installing tekmar Modulating Boiler Controls to Peerless Pinnacle or Heat Transfer Products Munchkin

Wiring Instructions:

The Peerless Pinnacle with a P125 controller requires the installation of an Analog Interface Adapter (Peerless part number 91488).

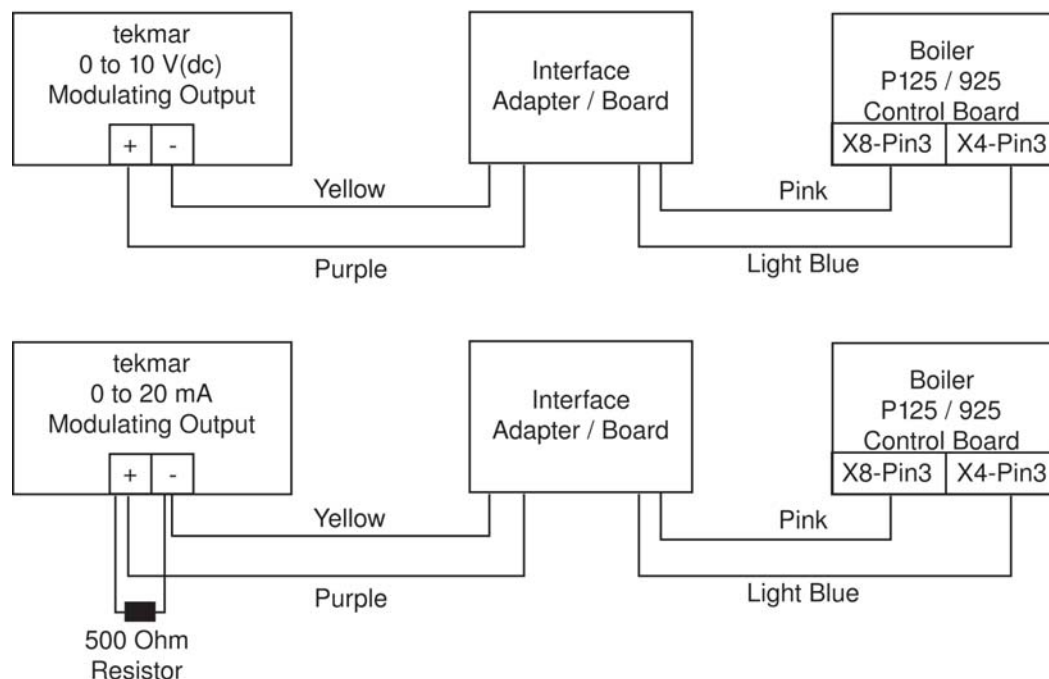
The Heat Transfer Products Munchkin with a 925 controller requires the installation of a Munchkin Interface Board from Heat Transfer Products.

The Interface Adapter / Board must be installed according to the manufacturer instructions. This includes making all parameter changes.

The Interface Adapter / Board requires a 0 to 10 V(dc) signal. If the tekmar control provides a 0 to 20 mA signal, a 500 Ω resistor supplied with the control is required to be installed to the + and – terminals of the modulating output.

The purple wire connects to the + terminal of the tekmar modulating output.
The yellow wire connects to the – terminal of the tekmar modulating output.
See wiring diagram for details.

Wiring Diagram



ADJUST Settings Instructions:

Fire Delay: 0:24 minutes (24 seconds)

Boiler Mass: Low (1)

Motor Speed: 60 seconds

Minimum Boiler Output: the minimum BTU rating of the boiler divided by 10,000.

Maximum Boiler Output: the maximum BTU rating of the boiler divided by 10,000.

Boiler Modulation: 0:10 V or (0:20 mA with 500 Ω resistor)

Minimum Modulation: 15%

Maximum Modulation: 100%

Purge Boiler Pump = Depends on application.

Sincerely yours,

Jay Vath
tekmar Control Systems Ltd.