

## Installing a tekmar House Control with Modulating Boilers

This table describes certain essential settings required on the House Controls when installed with the listed, common modulating boilers. Please contact your local representative, or see our website ([www.tekmarcontrols.com](http://www.tekmarcontrols.com)) for more information if the boiler you are installing the House Control with is not listed below.

Essential Control Settings	Buderus GB142	Heat Transfer Products Munchkin	IBC 15-150	Lochinvar Knight	Peerless Pinnacle	Triangle Tube Prestige	Weil-McLain Ultra Series I & II	Weil-McLain Ultra Series III
Boil Motor (seconds)	10	60	10	10	60	90	60	60
Min Mod (%)	30	33	10	20	33	18	18	20
Mod Delay (minute:second)	0:00	0:20	0:30	0:05	0:20	2:00	2:00	1:00
Boiler Enable Required	No	No	No	Yes	No	No	No	No
Additional Equipment Purchased from Boiler Manufacturer	EM10 Module	Munchkin Interface Board	none	none	Analog Interface Adapter	AM4*	AM4	none

\* Triangle Tube Prestige boilers manufactured after February 2008 do not require AM4 module.

Figure 1: AM4 Module Wiring

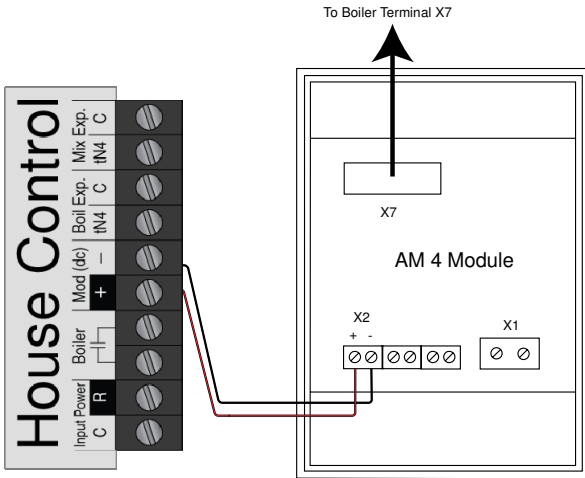


Figure 2: Lochinvar Knight Boiler Wiring Guide

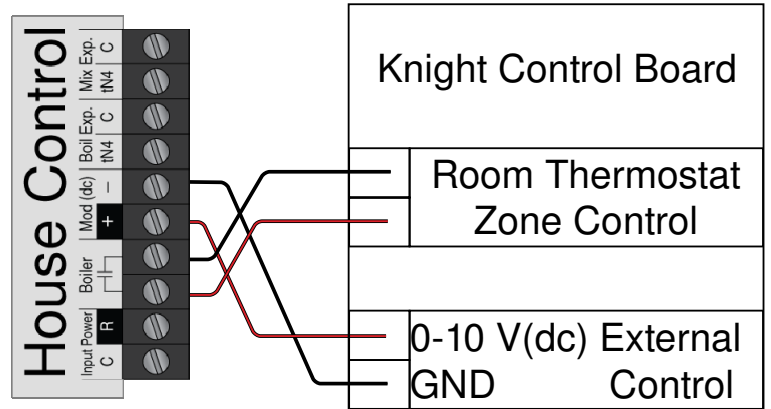


Figure 3: Peerless and Heat Transfer Products Adapter Wiring Guide

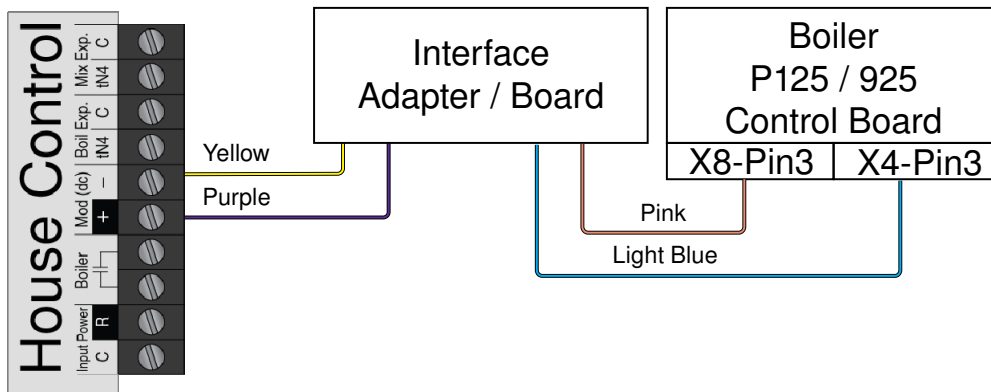


Figure 4: Buderus EM10 Module Wiring Guide

